

WELDTEC® CLEAR QUARTZ TIG NOZZLES



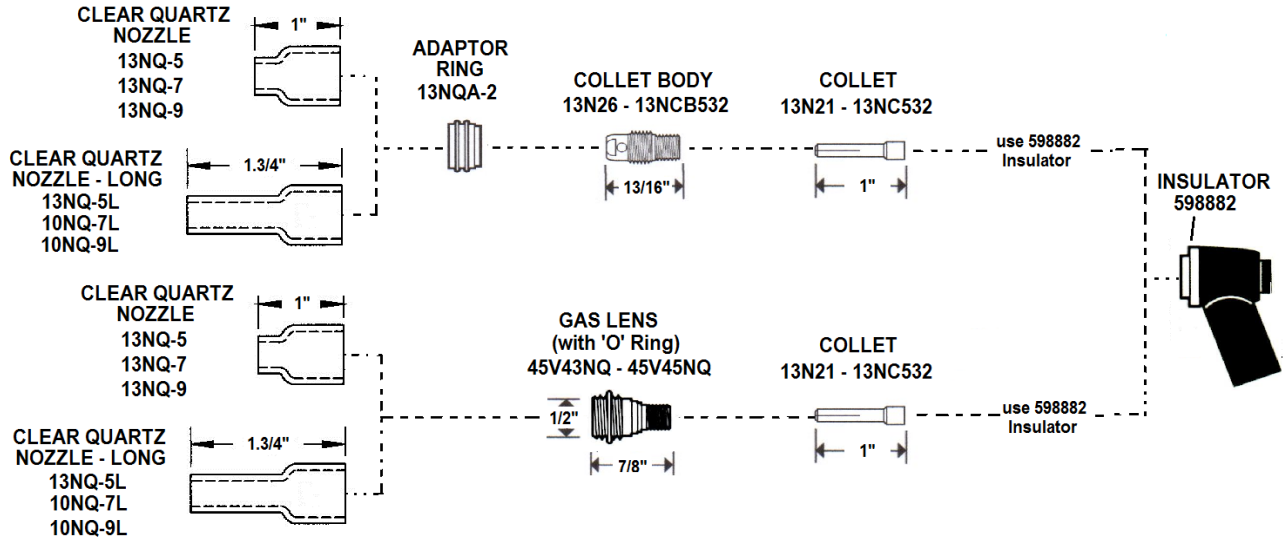
These modern fused Quartz Nozzles offer superior temperature and thermal shock resistance, surpassing both Pyrex® and the pink Ceramic Nozzles for performance.

- * Better weld puddle visibility.
- * Higher Heat resistance.
- * No thermal shock breakage.
- * Better Laminar gas coverage.

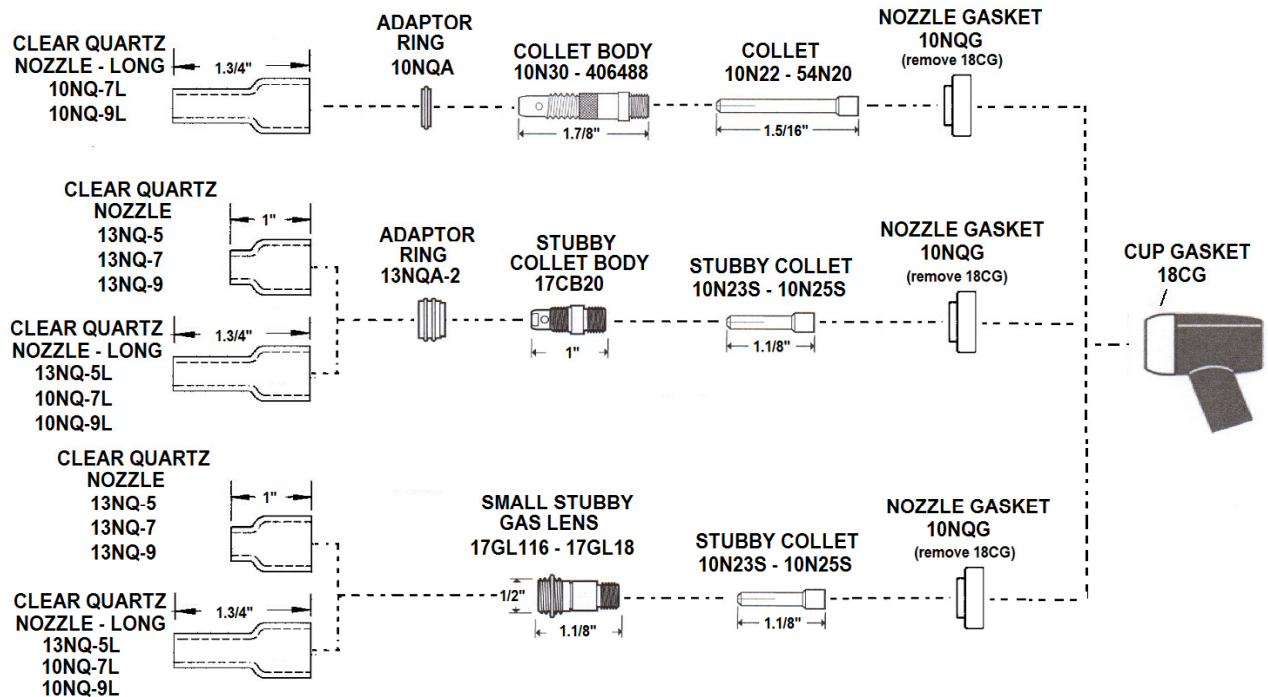
You can use these Quartz Nozzles on most Tig Torches using a simple Adaptor Ring or a special Gas Lens.

Available in different bore sizes and lengths to suit your job requirements.

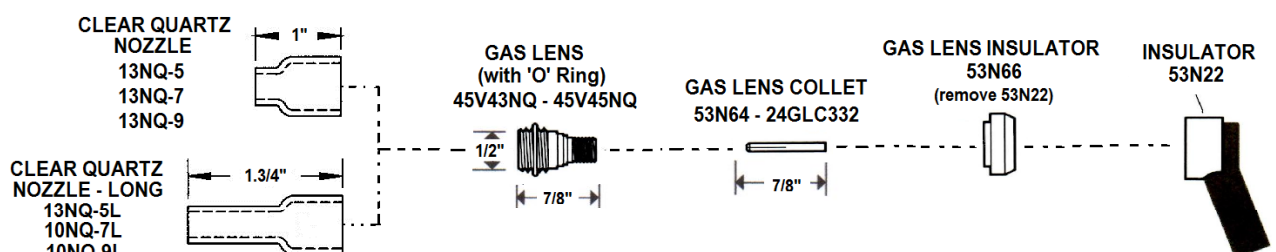
CLEAR QUARTZ NOZZLE OPTIONS for WT9 and WT20 TYPE TORCH HEADS



CLEAR QUARTZ NOZZLE OPTIONS for WT17, WT18 and WT26 TYPE TORCH HEADS



CLEAR QUARTZ NOZZLE OPTIONS for WT24 TYPE TORCH HEADS



ALL PRICES ARE IN POUNDS STERLING (GBP) and EXCLUDE VAT .

CARRIAGE is EXTRA.

TO ORDER:-

Telephone +44 (0)1942 497 387

email: info@weldmarkuk.com

WELDMARK LTD

Hodson Street

WIGAN

Lancashire

WN3 4EN

UNITED KINGDOM