

WELDTEC® CLEAR QUARTZ TIG NOZZLES



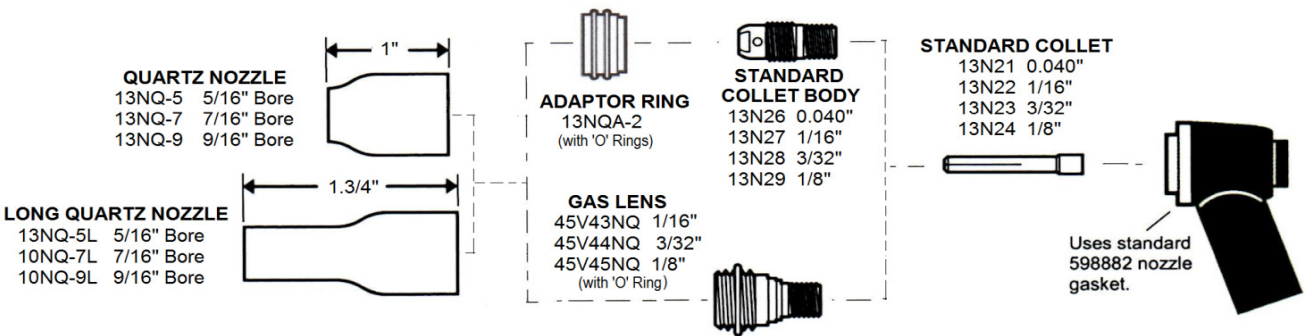
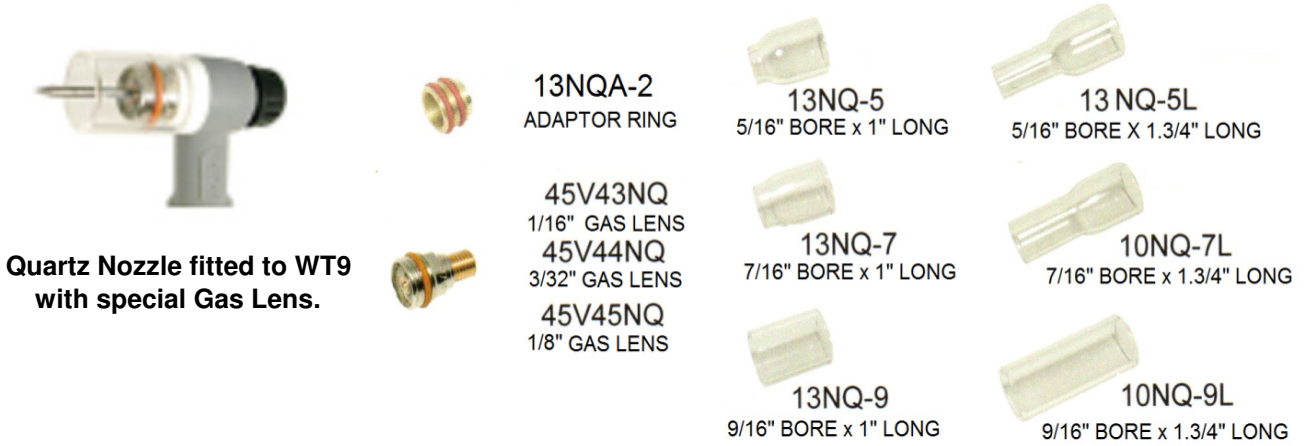
These modern fused Quartz Nozzles offer superior temperature and thermal shock resistance, surpassing both Pyrex® and the pink Ceramic Nozzles for performance.

- * Better weld puddle visibility.
- * Higher Heat resistance.
- * No thermal shock breakage.
- * Better Laminar gas coverage.

You can use these Quartz Nozzles on WT9 and WT20 Tig Torches using a simple Adaptor Ring or a special Gas Lens.

Available in different bore sizes and lengths to suit your job requirements.

WT9, WT20 TYPE TORCH HEADS, WT25, SW320, 920 i Heads, WT22 and WT23



598882	Standard and Gas Lens Insulator	Each	1.40
13NQA-2	Adaptor Ring (with 'O' rings)	Each	5.60
13NQ-5	5/16" Bore x 1" Quartz Nozzle	Each	26.70
13NQ-7	7/16" Bore x 1" Quartz Nozzle	Each	26.70
13NQ-9	9/16" Bore x 1" Quartz Nozzle	Each	26.70
13NQ-5L	5/16" Bore x 1.3/4" Long Quartz Nozzle	Each	28.20
10NQ-7L	7/16" Bore x 1.3/4" Long Quartz Nozzle	Each	28.20
10NQ-9L	9/16" Bore x 1.3/4" Long Quartz Nozzle	Each	28.20
13N21	0.040" Standard Collet	PK 5	5.60
13N22	1/16" Standard Collet	PK 5	5.60
13N23	3/32" Standard Collet	PK 5	5.60
13N24	1/8" Standard Collet	PK 5	5.60
13N26	0.040" Standard Collet Body	PK 5	10.80
13N27	1/16" Standard Collet Body	PK 5	10.80
13N28	3/32" Standard Collet Body	PK 5	10.80
13N29	1/8" Standard Collet Body	PK 5	10.80
45V43NQ	1/16" Gas Lens (with 'O' ring)	Each	8.20
45V44NQ	3/32" Gas Lens (with 'O' ring)	Each	8.20
45V45NQ	1/8" Gas Lens (with 'O' ring)	Each	8.20

ALL PRICES ARE IN POUNDS STERLING (GBP) and EXCLUDE VAT .

CARRIAGE is EXTRA.

TO ORDER:-

Telephone +44 (0)1942 497 387

email: info@weldmarkuk.com

WELDMARK LTD

Hodson Street

WIGAN

Lancashire

WN3 4EN

UNITED KINGDOM